

# Pneumatic Vacuum Generators RECB

Suction rate up to 57.2 l/min

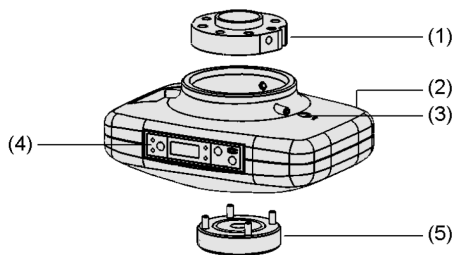
## Suitability for Industry Specific Applications

### Applications

- Pneumatic vacuum generator for end-of-arm (EoA) use on lightweight robots and small industrial robots
- Handling of suction tight or porous and uneven workpieces, such as cardboard
- Handling of non-rigid workpieces such as filled cartons in palletizing and depalletizing processes
- Use in fully automated processes with low cycle and evacuation times as well as in human-robot collaboration (MRK environment)



Pneumatic Vacuum Generators RECB



### Design

- Flange adapter plate (1) for mechanical connection to all common cobots and industrial robots
- Electrical interface via cable with M12-5-pin plug connection (2)
- Connection compressed air hose (3); optionally also on the rear side
- Integrated 7-segment display (4)
- Flange for gripper connection (5)

System Design Pneumatic Vacuum Generators RECB



Pneumatic vacuum generator RECB when handling cardboard boxes

### Product Highlights

- Powerful pneumatic vacuum generation enables short cycle times and high compensation of leakage
- Direct and simple, mechanical and electrical robot connection
- Low overall height allows mounting directly on the robot arm with minimal height limitation
- Control via digital robot outputs (I/O) or communication via IO-Link

## Designation Code Pneumatic Vacuum Generators RECB

# Pneumatic Vacuum Generators RECB

Suction rate up to 57.2 l/min



**1 – Abbreviated designation**

Code	Version
RECB	RECB

**2 – Voltage**

Code	Operating voltage
24V-DC	24V-DC

**3 – Idle position suction valve**

Code	Type
NC	Normally closed
NO	Normally open

**4 – Electrical connection**

Code	Connection
M12-5	M12-5

The RECB pneumatic vacuum generator is supplied as a ready-to-connect product.

Available spare parts: Spare parts kit

Available accessories: connection cable, flange plates

## Ordering Data Pneumatic Vacuum Generators RECB

Type	Part no.
RECB 24V-DC NO M12-5	10.02.03.00368
RECB 24V-DC NC M12-5	10.02.03.00370

## Ordering Data Spare Parts Pneumatic Vacuum Generators RECB

Type	Spare Parts	Part no.
RECB 24V-DC NO M12-5	Set of spare parts	ERS RECB 10.02.03.00372
RECB 24V-DC NC M12-5	Set of spare parts	ERS RECB 10.02.03.00372

## Ordering Data Accessories Pneumatic Vacuum Generators RECB

Type	Accessories	Part no.
RECB 24V-DC NO M12-5	Connection cable	ASK WB-M12-5 5000 K-5P 21.04.05.00830
RECB 24V-DC NC M12-5	Connection cable	ASK WB-M12-5 5000 K-5P 21.04.05.00830

Type	Part no.
Flange plate robot application	FLAN-PL UR-KUK-1 10.03.01.00313
Flange plate robot application	FLAN-PL RET-1 10.03.01.00358
Flange plate robot application	FLAN-PL RET-2 10.03.01.00373
Flange plate robot application	FLAN-PL YAS-2 10.03.01.00404
Flange plate robot application	FLAN-PL FAN-1 10.03.01.00390
Flange plate robot application	FLAN-PL FAN-2 10.03.01.00518
Flange plate robot application	FLAN-PL ECBPi 10.03.01.00379
Flange module	MOD-FLAN 108x63x13 ECBPi 10.03.01.00436

# Pneumatic Vacuum Generators RECB

Suction rate up to 57.2 l/min

## Technical Data Pneumatic Vacuum Generators RECB

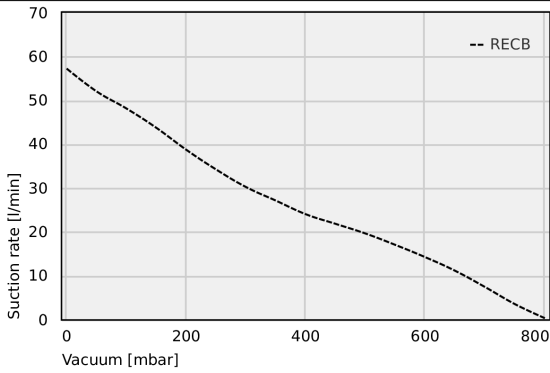
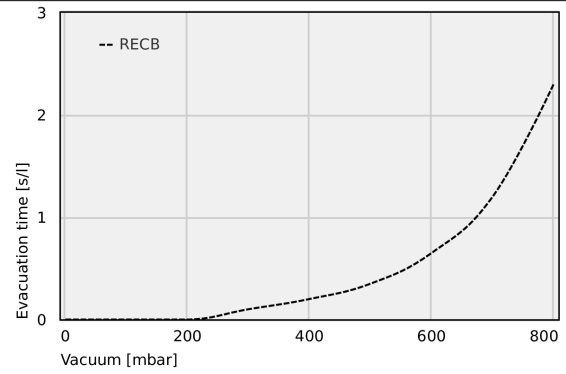
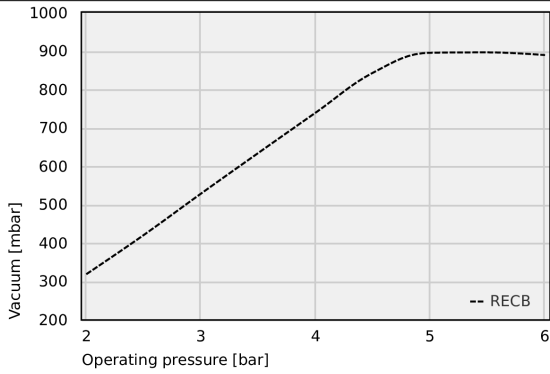
Type	Degree of evacuation [%]	Control valve	Electrical connection	Suction rate (max.) [l/min]	Suction rate (max.) [m³/h]	Sound level suction [dB(A)]	Sound level free [dB(A)]
RECB 24V-DC NC M12-5	85	Normally closed	Male connect M12, 5 pol	58	4	72	77
RECB 24V-DC NO M12-5	85	Normally open	Male connect M12, 5 pol	58	4	72	77

Type	Air consumption blow off [m³/h]	Air consumption suction [l/min]	Air consumption suction [m³/h]	Operating pressure
RECB 24V-DC NC M12-5	-	82	5	2.0 ... 6.0 bar
RECB 24V-DC NO M12-5	-	82	5	2.0 ... 6.0 bar

# Pneumatic Vacuum Generators RECB

Suction rate up to 57.2 l/min

## Performance Data Pneumatic Vacuum Generators RECB



Typ	2	2.5	3	3.5	4	4.5	5	5.5	6
RECB	318	420	528	634	739	843	895	896	889

## Pneumatic Vacuum Generators RECB

Suction rate up to 57.2 l/min

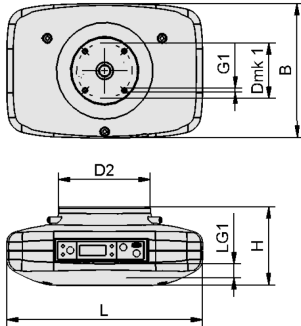
Typ	0	100	200	300	400	500	600	700	800
RECB	-	-	-	0.1	0.2	0.35	0.65	1.2	2.3

Typ	0	50	100	150	200	250	300	350	400	450	500	550	600	650	700	750	800
RECB	57.2	52.0	48.1	43.7	38.7	34.2	30.2	27.1	24.0	21.8	19.6	17.0	14.2	11.1	7.4	3.5	0.3

# Pneumatic Vacuum Generators RECB

Suction rate up to 57.2 l/min

## Design Data Pneumatic Vacuum Generators RECB



## Pneumatic Vacuum Generators RECB

Suction rate up to 57.2 l/min

### Design Data Pneumatic Vacuum Generators RECB

Type	B [mm]	D2 [mm]	D mk1 [mm]	G1	H [mm]	L [mm]	LG1 [mm]
RECB 24V-DC NO M12-5	111	76	46	M4-F	64.8	162	9
RECB 24V-DC NC M12-5	111	76	46	M4-F	64.8	162	9